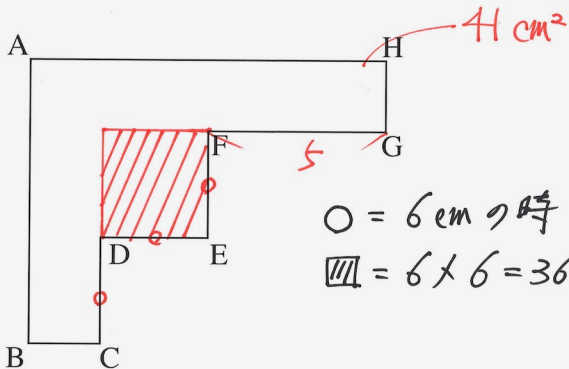


17



$$\bigcirc = 6 \text{ cm の時}$$

$$\square = 6 \times 6 = 36 \text{ cm}^2$$